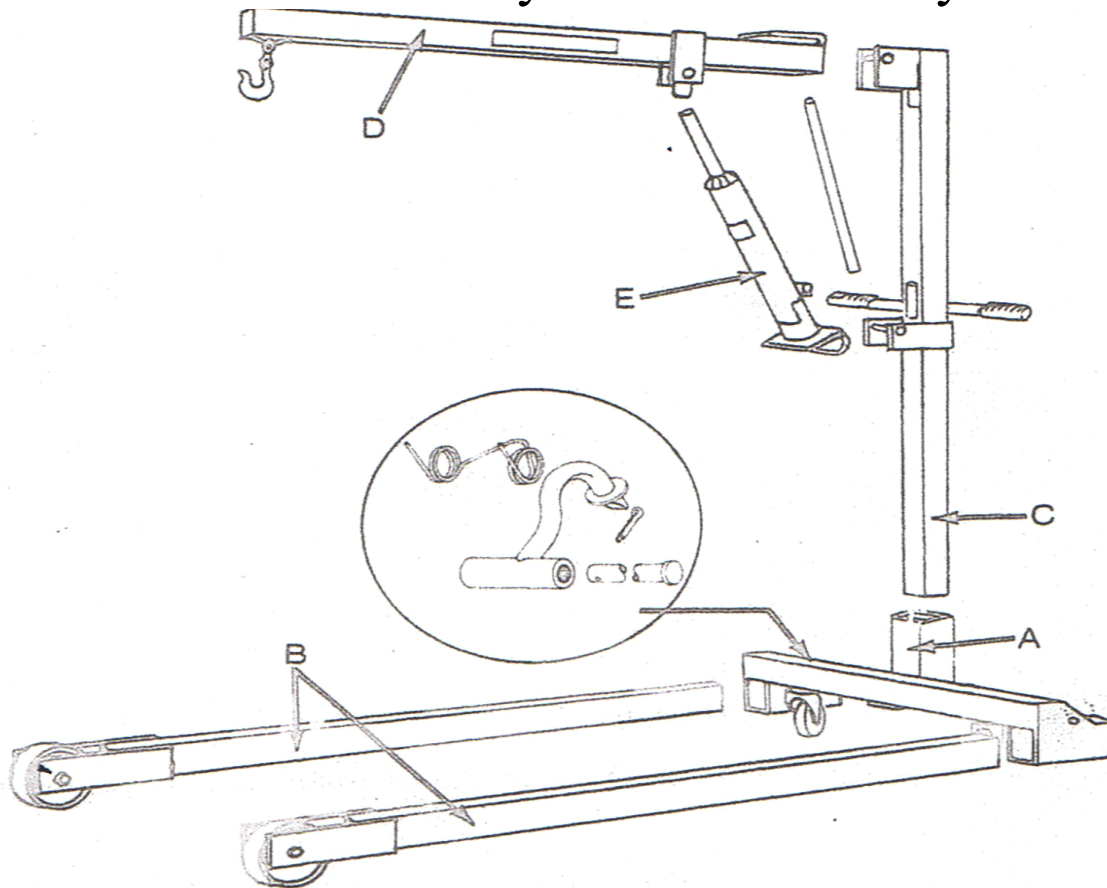


Please Follow These

Instructions For Assembly Of BlueBird Kaydee Lift



- Place crossaxle (A) on level surface.
- Insert legs (B) completely so that latches snap into holes in the legs. This is important. The latches keep the legs from pulling out when the lift is moved.
- Insert upright column post (C) into socket in crossaxle with flanges facing forward.
- Hold front end of boom (D) at a high angle and slide boom hook onto the pin on the column post from bottom side. Lower boom to relaxed position.
- Place jack (E) on column post.
- Place ram of jack into socket on boom.
- Use on level firm surface only.

This Quality Lift Supplied By:



BlueBird[®]
International

BLUEBIRD INTERNATIONAL, INC. 2778 SO. TEJON ENGLEWOOD, COLORADO 80110, U.S.A. 303-781-4458
KD ASSY 4-80 (Ptd. in U.S.A.)